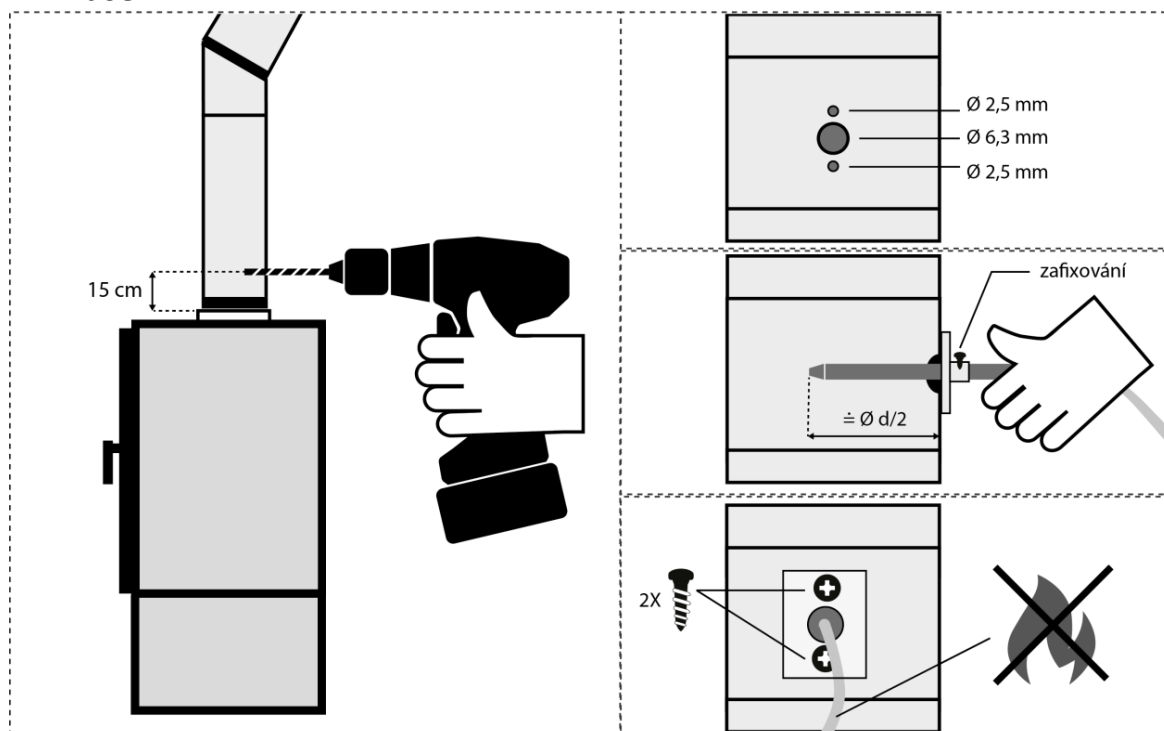


## ECO 20 INSTALLATION MANUAL

### Step 1 Install the Exhaust Temperature Sensor

*Note: The exhaust temperature sensor is the one with the green cable.*

- Drill a hole in the exhaust pipe about 150 mm beyond where it exits the stove. The proper-sized drill bit ( $\varnothing$  6.3 mm) is included.
- Slide the thermal sensor into the holder so that the sensing tip extends about as far as half the exhaust pipe's diameter. On the most common exhaust pipe diameter of 150 mm, this would have the sensing tip protrude about 75 mm past the holder (and, therefore, about this same distance into the pipe once mounted). Carefully bolt the sensor into place.
- Drill two more holes into the exhaust pipe, in positions matching the sensor holder's mounting holes when the sensing tip is inserted in the first hole. The proper-sized drill bit ( $\varnothing$  2.5 mm) is included. Screw the holder into place using the two included screws.
- Lead the connector-tipped cable to where the control unit will be mounted. (The control unit is located on the shutter.) Make sure the cable does not touch any parts of the stove that become hot when in use.



**If you need to shorten the thermal sensor assembly, never do so by cutting pieces off the metal part of the sensor. The silicon cable can be cut down to any length you need.**

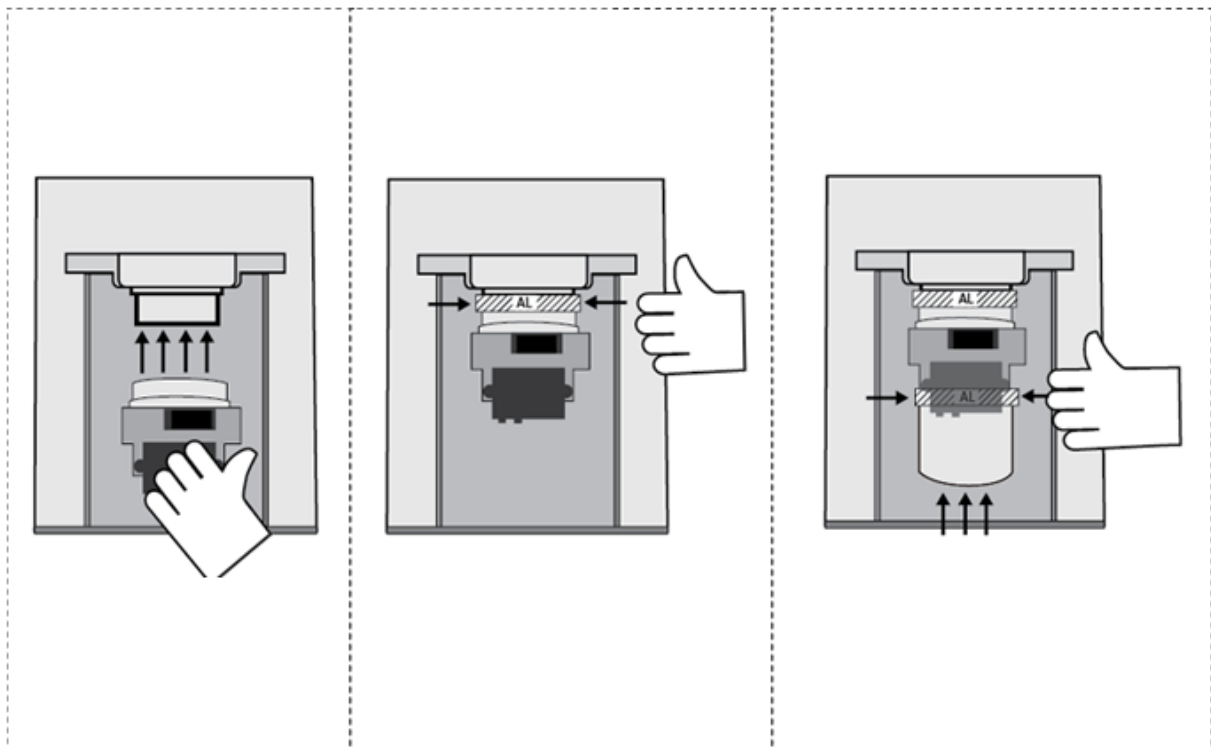
## Step 2 Installing the 2<sup>nd</sup> Thermal Sensor (optional)

*Note: The second thermal sensor must be of the **PTC type**.*

- Mount the second thermal sensor so that the sensing tip is located where you want temperature to be measured.
- Lead the sensor's cable to where the control unit is mounted.

## Step 3 Installing the External Air Intake (EAI) Shutter

- Attach the EAI shutter to the external air intake flange and secure with aluminum tape. Make sure the connection is reasonably airtight, otherwise the stove will draw air around the seal and the system will work poorly.
- Attach the exterior aluminum air intake pipe to the intake side of the shutter and secure with aluminum tape.

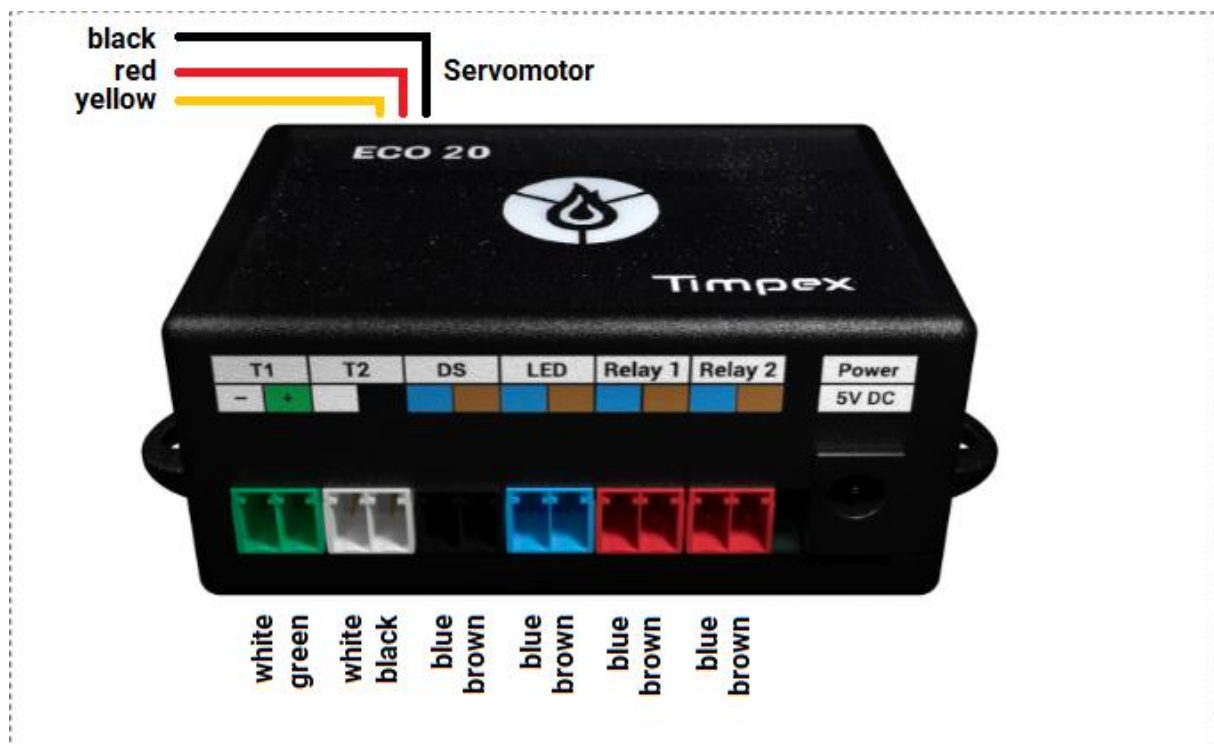


## Step 4 Wiring

- Connect the green connector from the temperature sensor to the green port on the control unit (T1).
- Connect the power connector to its port on the unit (Power).
- Connect any optional accessories:
  - LED indicator light: Connect its blue connector to the unit's blue port (COM).
  - Magnetic Door Sensor or physical START button: Connect its black connector to the unit's black port (DS).
  - External relay-controlled devices: Connect to the red terminals (Relay 1, Relay 2).

*Note: The relays are voltage-free. To control 230 V devices, you will need the optional External 230 V Control Unit.*

*For recommendations for the electric wiring of external 230 V devices to the control unit, see "ECO – Wiring 230 V Devices". **All persons handling 230 V power systems must be qualified in accordance with government regulations applicable in your country.***



## Step 5 Downloading the Mobile App

- Download the app called **Timpex ECO** from Google Play (Android devices) or the App Store (iOS devices).
- Launch the app and follow its instructions for pairing the app with your control unit and selecting the appropriate settings.

